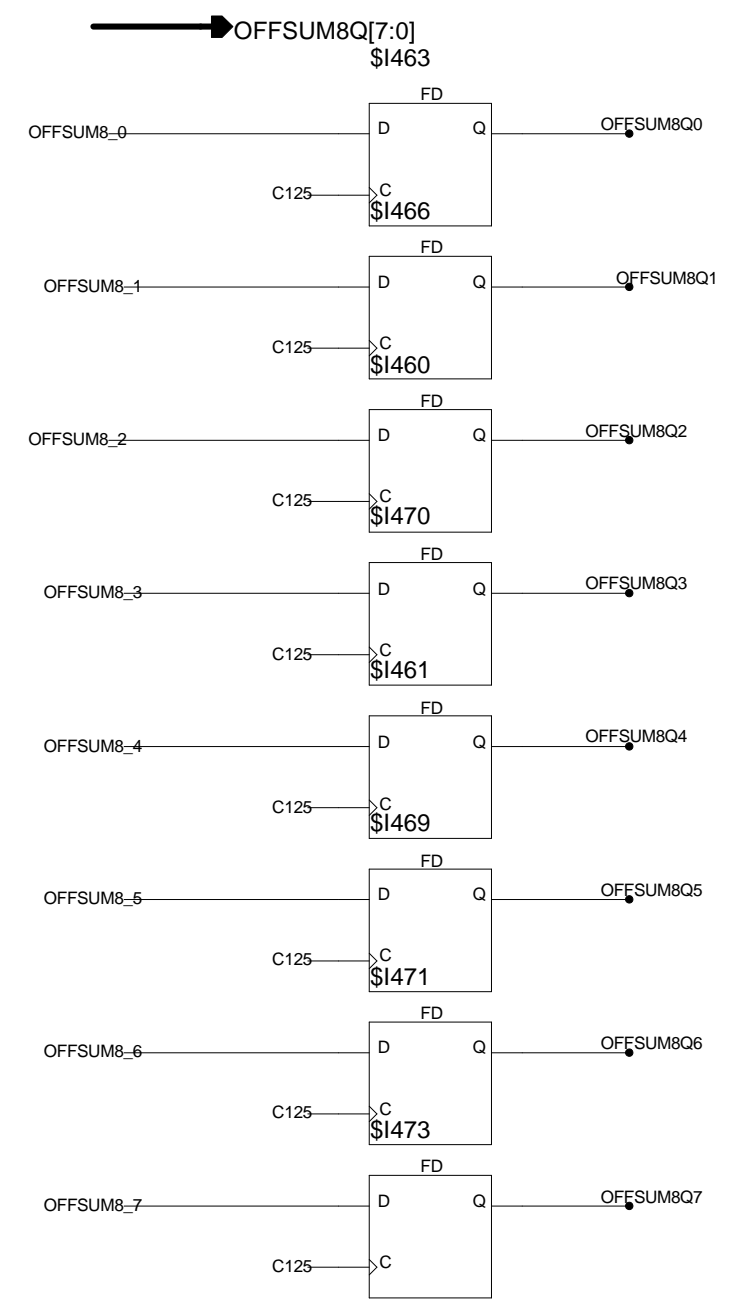
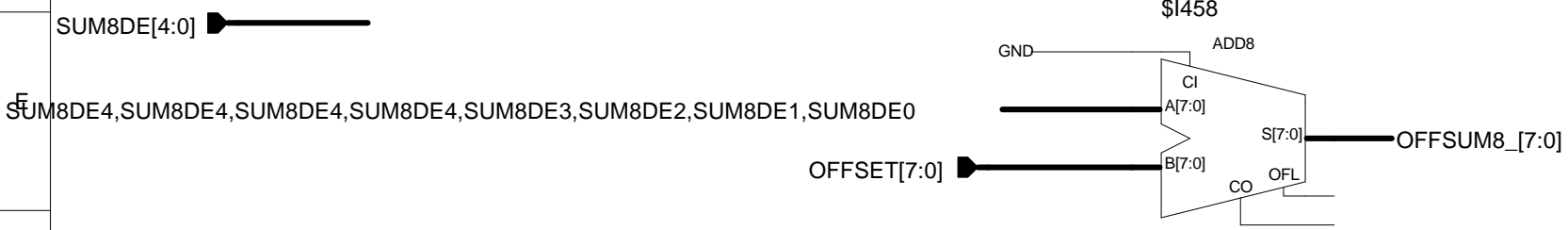
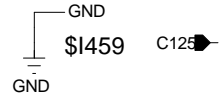


Need to subtract offset from mask set.
 64 antennas could give an offset of -32 required.
 -32 = 110 0000 in 2's complement.
 OFFSET in the range 0 to -32 1110 0000
 SUM8DE in the range +6 0110 to -6 1010
 Their sum is in the range +6 0110 to -38 1101 1010
 Therefore, no additional bit is required.
 The 7 msb is included as a spare.



ALMA Correlator Project	Project: ALOGSUM
NRAO	Macro: ADDOFFSET
Charlottesville, VA	Date: 10/4/99
Date Last Modified: 10/27/99	