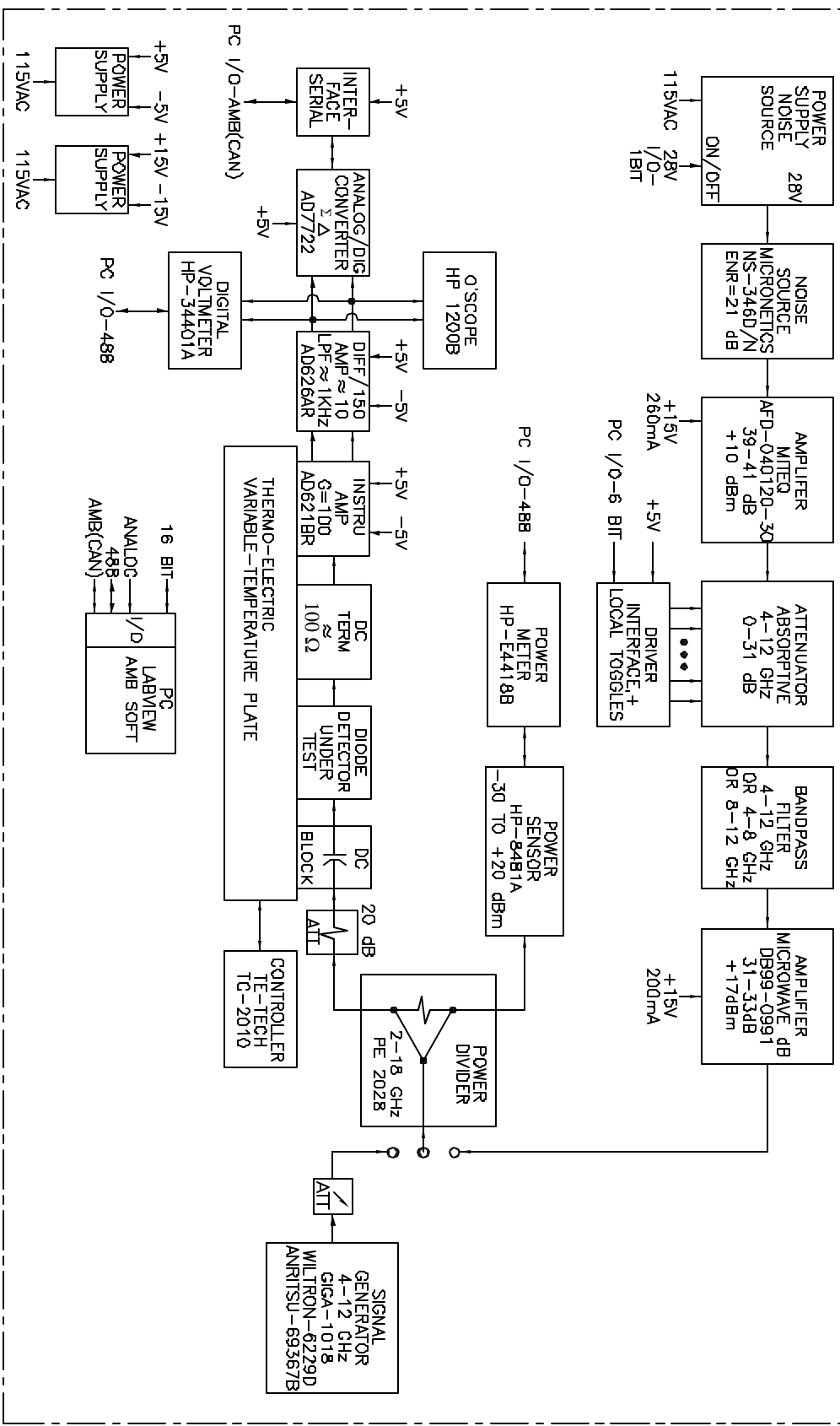


REV	DATE	DRAWN BY	APPROV'D BY	DESCRIPTION

TEST SET FOR TOTAL POWER MONITOR



ACAD : 06100500K001

UNLESS OTHERWISE SPECIFIED DIMENSIONS ARE IN INCHES		ALMA-US-D&D LAB/TEST EQUIPMENT	
FINISH :	1.0005	NATIONAL RADIO ASTRONOMY OBSERVATORY	
MATERIAL :	1.0005	300CENTRAL NEW MEXICO 87800	
	1.0005	DRYEN M. SULLIVAN 5/07/00	
	.01	DATE 5/07/00	
	.1	APPROVED BY	
		SHEET NUMBER 1 OF 1 DRAWING NUMBER 06100500K001	
		REV. _ _ _ _ _	
		SMALL NONE	